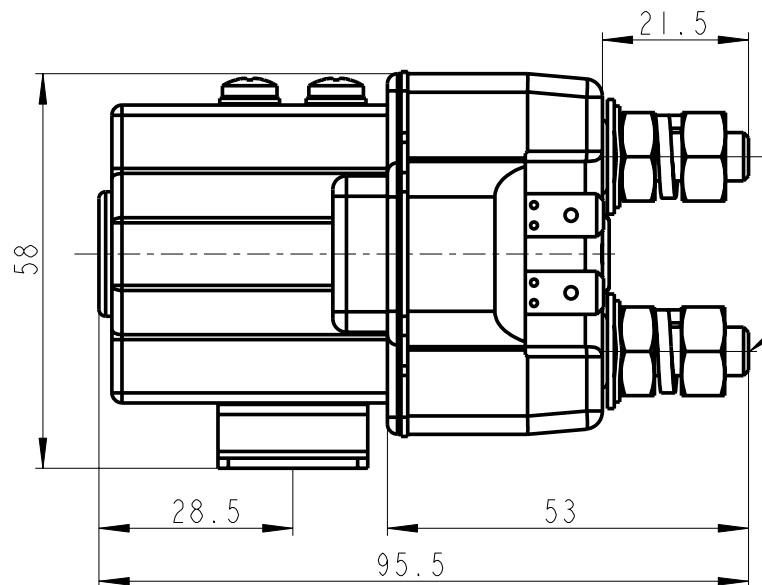
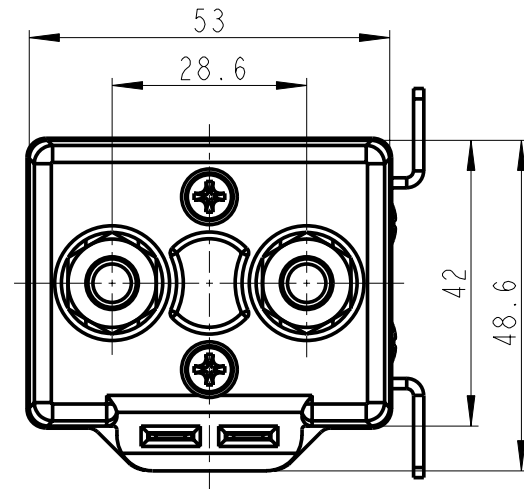


6mm spade terminals
for coil connections



M8X1.25 main
terminals

- Rated coil voltage : 48 V *
- Rated Current Continuous : 100 A
- * 12 V , 24 V , 36 V By order



DC Contactor
Model EN 930048