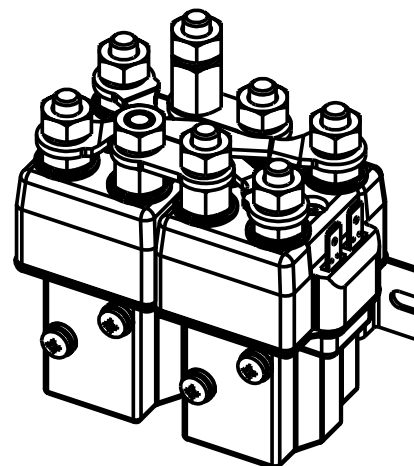
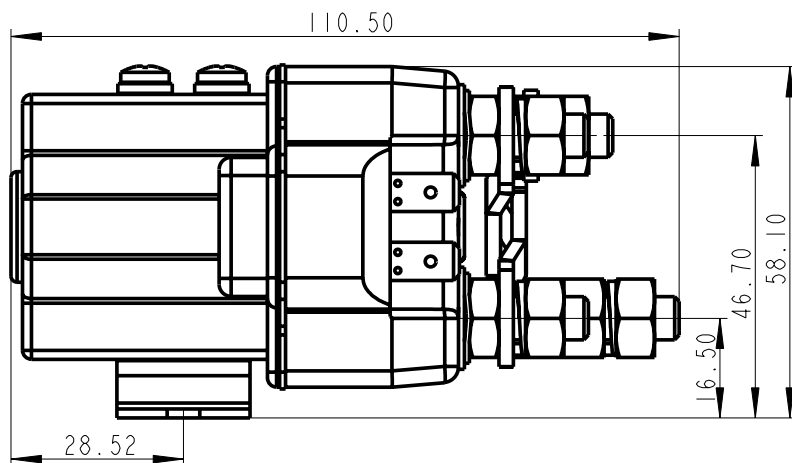


CONNECTION DIAGRAMS

All dimensions in mm.



- Rated coil voltage : 48 V *
- Rated Current Continuous : 100 A
- * 12 V , 24 V , 36 V By order



DC Contactor
Model EN 934048