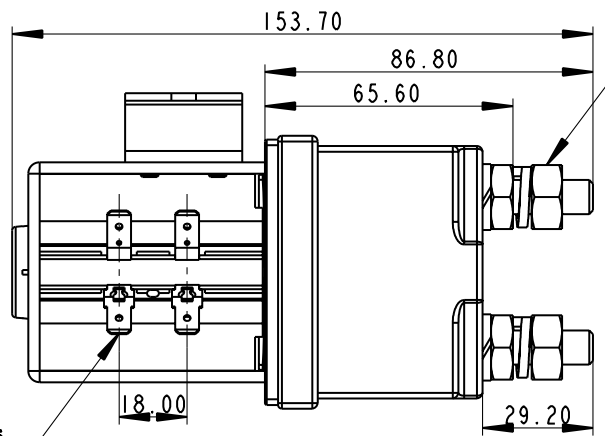
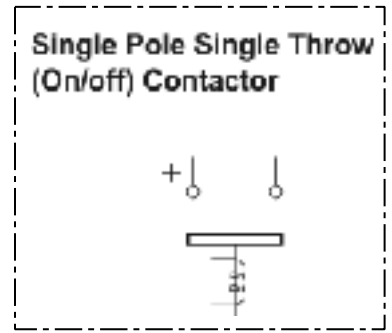
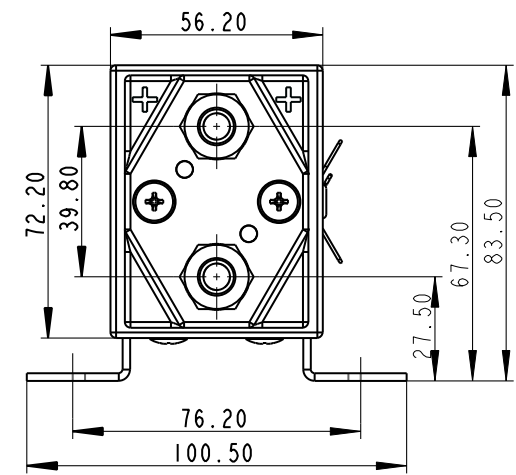


M10 main terminals
to be tightened within
the range 13.4 to 14.6 Nm

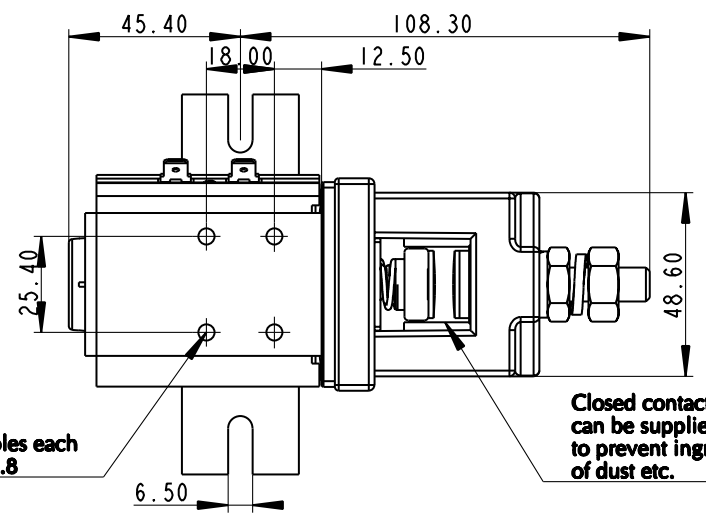


6mm spade terminals
for coil connection



CONNECTION DIAGRAM

All dimensions in millimetres



4 tapped holes each
side M5 x 0.8

Closed contact housing
can be supplied
to prevent ingress
of dust etc.

- Rated coil voltage : 48 V *
- Rated Current Continuous : 250 A
- * 12 V , 24 V , 36 V By order



DC Contactor
Model EN 935048