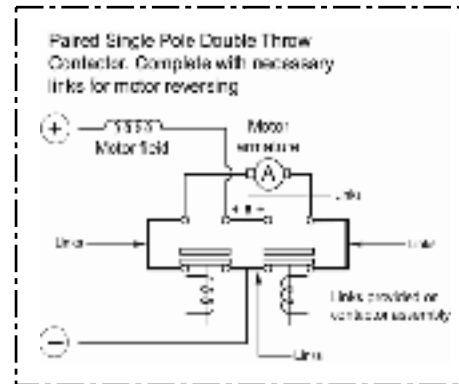
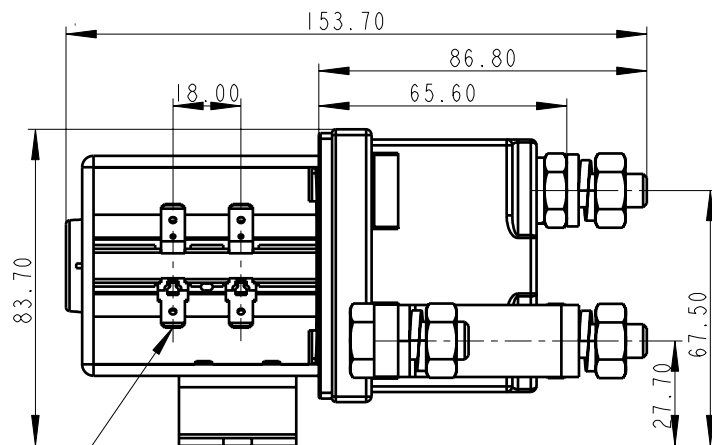
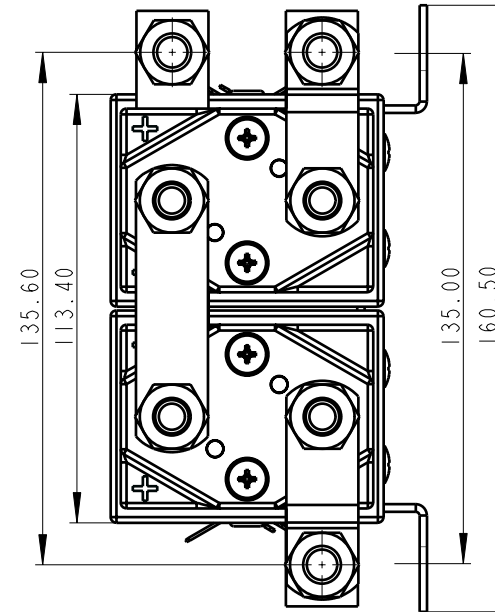


All dimensions in millimetres

Closed contact housing can be supplied to prevent ingress of dust etc.



CONNECTION DIAGRAM

- Rated coil voltage : 48 V \*
- Rated Current Continuous : 250 A
- \* 12 V , 24 V , 36 V By order



DC Contactor Reversing  
Model EN 936048